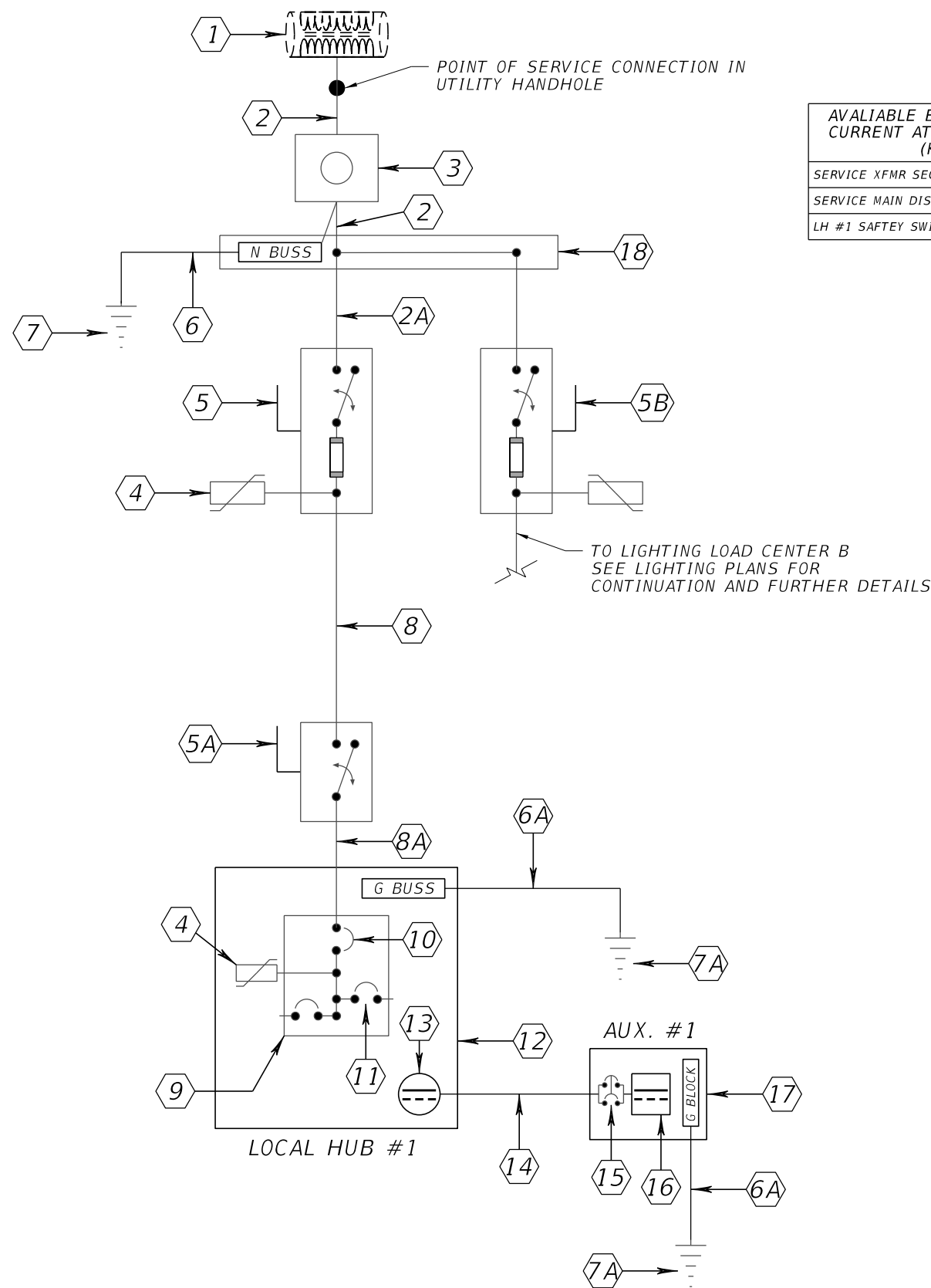


POWER SOURCE #1
ONE-LINE DIAGRAM



AVAILABLE BOLTED FAULT CURRENT AT EQUIPEMENT (KA)	
SERVICE XFMR SECONDARY	31.9
SERVICE MAIN DISC.	14.0
LH #1 SAFTEY SWITCH	3.5

LEGEND:

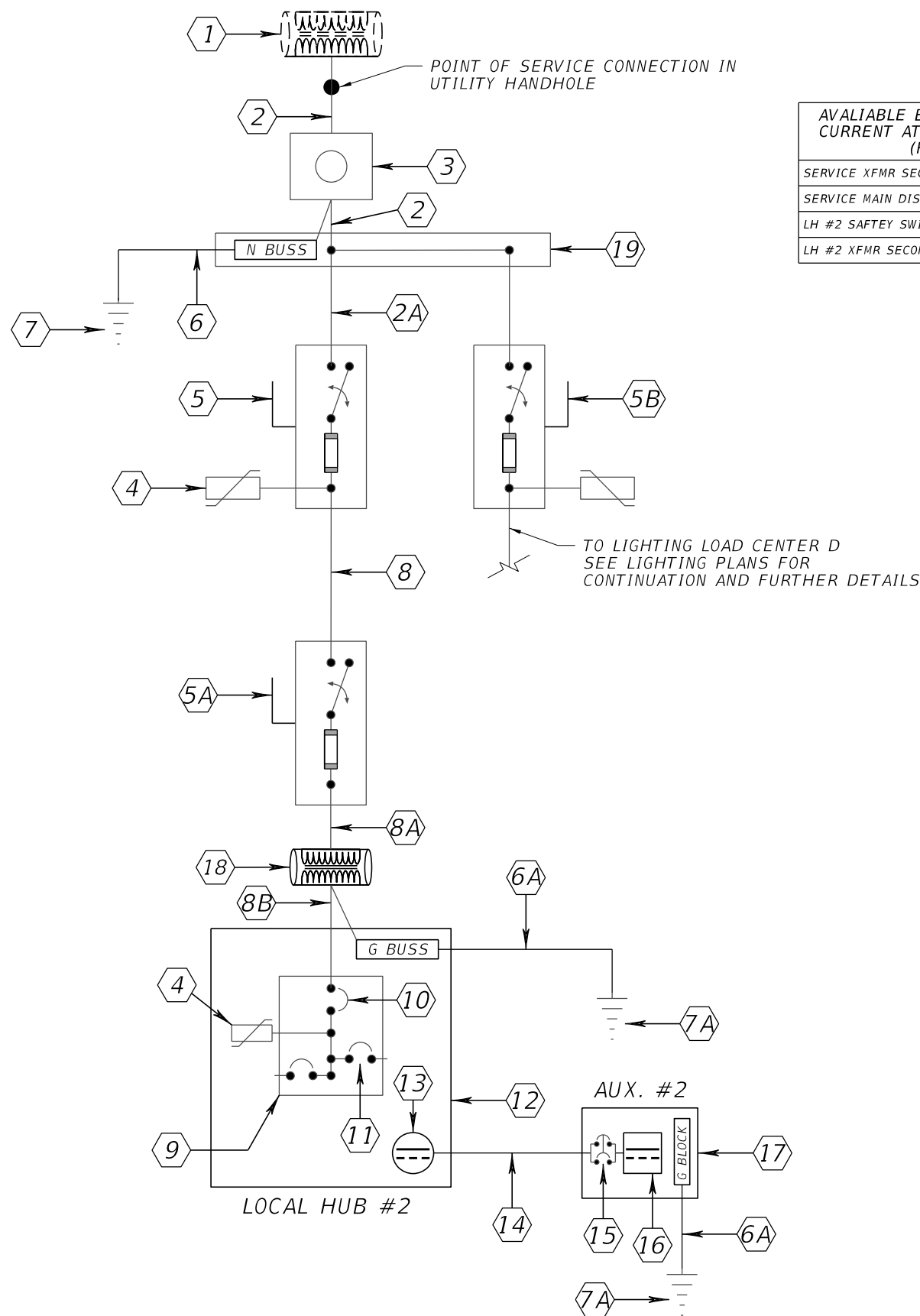
- 1 POLE MOUNTED SERVICE TRANSFORMER BY POWER UTILITY COMPANY
- 2 120/240V, 1-PHASE, SERVICE CONDUCTORS; 2-#1 AWG SERVICE CONDUCTOR AND 1-#1 AWG GROUNDED SERVICE CONDUCTOR (NEUTRAL)
- 2A 120V SINGLE PHASE CIRCUIT; TAPPED IN WIRE TROUGH TO SERVICE CONDUCTORS; 1-#6 AWG UNGROUNDED CONDUCTOR AND 1-#6 AWG GROUNDED CONDUCTOR (NEUTRAL)
- 3 METER SOCKET BY CONTRACTOR, METER BY POWER UTILITY COMPANY; CONTRACTOR TO COORDINATE WITH POWER UTILITY COMPANY TO FURNISH APPROVED METER SOCKET
- 4 PARALLEL CONNECTED SURGE PROTECTIVE DEVICE (LIGHTING ARRESTOR)
- 5 ITS SERVICE MAIN DISCONNECT: GENERAL DUTY, TWO-POLE S/N, FUSIBLE, SINGLE THROW SAFETY SWITCH; FUSED AT 40 AMPS; SERVICE ENTRANCE RATED; 240V RATED; 100 AMP RATED; 100K AIC RATED; NEMA 3R PADLOCKABLE ENCLOSURE; BOND ENCLOSURE TO GROUNDED CONDUCTOR (NEUTRAL) WITH #6 AWG MAIN BONDING JUMPER
- 5A POLE MOUNTED SAFETY SWITCH: GENERAL DUTY, TWO-POLE, NON-FUSIBLE, SINGLE THROW SAFETY SWITCH; 240V RATED; 100 AMP RATED; 10K SSCR MIN.; NEMA 3R PADLOCKABLE ENCLOSURE
- 5B LIGHTING SERVICE MAIN DISCONNECT: SEE LIGHTING PLANS FOR FURTHER DETAIL
- 6 #2 AWG COPPER GROUNDING ELECTRODE CONDUCTOR (COMMON). BOND THE SERVICE GROUNDED CONDUCTOR (NEUTRAL) TO GROUND IN WIRE TROUGH AT NEUTRAL BUSS.
- 6A #2 AWG COPPER GROUNDING ELECTRODE CONDUCTOR
- 7 5/8" X 20' MIN. GROUNDING ELECTRODE (EXTEND OR ADD ADDITIONAL BONDED WITH #2 AWG TIN PLATED BARE COPPER GROUND WIRE TO ACHIEVE 5 OHMS OR LESS RESISTANCE TO GROUND)
- 7A GROUNDING ELECTRODE ARRAY; REFER TO TYPICAL INSTALLATION DETAILS
- 8 120V SINGLE PHASE CIRCUIT: CONDUCTOR SIZE AS SHOWN ON PLAN SHEETS
- 8A 120V SINGLE PHASE CIRCUIT: 2-#6 AWG AND 1-#6 AWG GROUND
- 9 CABINET POWER PANEL
- 10 CABINET MAIN CIRCUIT BREAKER: REFER TO CABINET WIRING DIAGRAMS FOR DETAILS (10K AIC MIN. RATED)
- 11 CABINET BRANCH CIRCUIT BREAKER: REFER TO CABINET WIRING DIAGRAMS FOR DETAILS (10K AIC MIN. RATED)
- 12 POLE MOUNTED TYPE 336S CABINET
- 13 48VDC POWER SUPPLY: REFER TO CABINET WIRING DIAGRAMS FOR DETAILS
- 14 48VDC CIRCUIT: 2/C #12 AWG TYPE TC CABLE
- 15 DC CIRCUIT BREAKER: REFER TO CABINET WIRING DIAGRAMS FOR DETAILS
- 16 DC-DC CONVERTER: REFER TO CABINET WIRING DIAGRAMS FOR DETAILS
- 17 POLE MOUNTED AUXILIARY CABINET
- 18 NEMA 3R WIRE TROUGH SIZED PER NEC FILL REQUIREMENTS; CONTAINING 1/4" THICK X 2" WIDE (MIN.) COPPER GROUNDING BUSS TO SERVE AS COMMON GROUNDING ELECTRODE CONDUCTOR

- NOTES:
- SEE PLANS FOR CONDUCTOR SIZES NOT INDICATED ON THIS SHEET.
 - SEE PLAN SHEETS FOR APPROXIMATE LOCATION OF THE SERVICE CONNECTION POINT. COORDINATE WITH POWER UTILITY COMPANY FOR THE SERVICE SOURCE AND POINT OF CONNECTION EXACT LOCATIONS.
 - REFER TO TYPICAL RISER DIAGRAM, AND TYPICAL INSTALLATION DETAILS, FOR FURTHER INFORMATION.

REVISIONS				ALEXANDER TEAL MIMS, P.E. PE No. 77095 Traffic Engineering Data Solutions, Inc. 80 Spring Vista Drive Phone: 386.753.0558 DeBary, FL 32713 Fax: 386.753.0778 CERTIFICATION OF AUTHORIZATION # 27392	STATE OF FLORIDA DEPARTMENT OF TRANSPORTATION			POWER SERVICE DETAILS	SHEET NO. IT-63
DATE	DESCRIPTION	DATE	DESCRIPTION		ROAD NO.	COUNTY	FINANCIAL PROJECT ID		
					SR 429	SEMINOLE	240200-2-52-01		

THE OFFICIAL RECORD OF THIS SHEET IS THE ELECTRONIC FILE DIGITALLY SIGNED AND SEALED UNDER RULE 61G15-23.004, F.A.C.

POWER SOURCE #2
ONE-LINE DIAGRAM



AVAILABLE BOLTED FAULT CURRENT AT EQUIPEMENT (KA)	
SERVICE XFMR SECONDARY	31.9
SERVICE MAIN DISC.	12.3
LH #2 SAFTEY SWITCH	0.25
LH #2 XFMR SECONDARY	0.30

LEGEND:

- 1 POLE MOUNTED SERVICE TRANSFORMER BY POWER UTILITY COMPANY
- 2 120/240V, 1-PHASE, UNDERGROUND SERVICE CONDUCTORS; 2-#1 AWG SERVICE CONDUCTOR AND 1-#1 AWG GROUNDED SERVICE CONDUCTOR (NEUTRAL)
- 2A 240V SINGLE PHASE CIRCUIT; TAPPED IN WIRE TROUGH TO SERVICE CONDUCTORS; 2-#6 AWG UNGROUNDED CONDUCTORS AND 1-#6 AWG GROUNDED CONDUCTOR (NEUTRAL)
- 3 METER SOCKET BY CONTRACTOR, METER BY POWER UTILITY COMPANY; CONTRACTOR TO COORDINATE WITH POWER UTILITY COMPANY TO FURNISH APPROVED METER SOCKET
- 4 PARALLEL CONNECTED SURGE PROTECTIVE DEVICE (LIGHTING ARRESTOR)
- 5 ITS SERVICE MAIN DISCONNECT: GENERAL DUTY, TWO-POLE S/N, FUSIBLE, SINGLE THROW SAFETY SWITCH; FUSED AT 40 AMPS; SERVICE ENTRANCE RATED; 240V RATED; 100 AMP RATED; 100K AIC RATED; NEMA 3R PADLOCKABLE ENCLOSURE; BOND ENCLOSURE TO GROUNDED CONDUCTOR (NEUTRAL) WITH #6 AWG MAIN BONDING JUMPER
- 5A POLE MOUNTED SAFTEY SWITCH: GENERAL DUTY, TWO-POLE, FUSIBLE, SINGLE THROW; FUSED AT 20 AMPS; 240V RATED; 100 AMP RATED; 10K AIC MIN. RATED; NEMA 3R PADLOCKABLE ENCLOSURE
- 5B LIGHTING SERVICE MAIN DISCONNECT: SEE LIGHTING PLANS FOR FURTHER DETAIL
- 6 #2 AWG COPPER GROUNDING ELECTRODE CONDUCTOR (COMMON). BOND THE SERVICE GROUNDED CONDUCTOR (NEUTRAL) TO GROUND IN WIRE TROUGH AT NEUTRAL BUSS.
- 6A #2 AWG COPPER GROUNDING ELECTRODE CONDUCTOR
- 7 5/8" X 20' MIN. GROUNDING ELECTRODE (EXTEND OR ADD ADDITIONAL BONDED WITH #2 AWG TIN PLATED BARE COPPER GROUND WIRE TO ACHIEVE 5 OHMS OR LESS RESISTANCE TO GROUND)
- 7A GROUNDING ELECTRODE ARRAY; REFER TO TYPICAL INSTALLATION DETAILS
- 8 240V SINGLE PHASE CIRCUIT: CONDUCTOR SIZE AS SHOWN ON PLAN SHEETS
- 8A 240V SINGLE PHASE CIRCUIT: 2-#6 AWG AND 1-#6 AWG GROUND
- 8B 120V SINGLE PHASE CIRCUIT: 2-#6 AWG AND 1-#6 AWG GROUND
- 9 CABINET POWER PANEL
- 10 CABINET MAIN CIRCUIT BREAKER: REFER TO CABINET WIRING DIAGRAMS FOR DETAILS (10K AIC MIN. RATED)
- 11 CABINET BRANCH CIRCUIT BREAKER: REFER TO CABINET WIRING DIAGRAMS FOR DETAILS (10K AIC MIN. RATED)
- 12 POLE MOUNTED TYPE 336S CABINET
- 13 48VDC POWER SUPPLY: REFER TO CABINET WIRING DIAGRAMS FOR DETAILS
- 14 48VDC CIRCUIT: 2/C #12 AWG TYPE TC CABLE
- 15 DC CIRCUIT BREAKER: REFER TO CABINET WIRING DIAGRAMS FOR DETAILS
- 16 DC-DC CONVERTER: REFER TO CABINET WIRING DIAGRAMS FOR DETAILS
- 17 POLE MOUNTED AUXILIARY CABINET
- 18 3 KVA POLE MOUNTED DRY TYPE OUTDOOR TRANSFORMER: 240x480V PRIMARY AND 120/240V SECONDARY; NEMA 3R ENCLOSURE; BOND TRANSFORMER SECONDARY TO EFFECTIVE GROUND-FAULT CURRENT PATH PER NEC REQUIREMENTS; REFER TO WIRING DIAGRAMS FOR FURTHER DETAIL
- 19 NEMA 3R WIRE TROUGH SIZED PER NEC FILL REQUIREMENTS; CONTAINING 1/4" THICK X 2" WIDE (MIN.) COPPER GROUNDING BUSS TO SERVE AS COMMON GROUNDING ELECTRODE CONDUCTOR

NOTES:

- 1. SEE PLANS FOR CONDUCTOR SIZES NOT INDICATED ON THIS SHEET.
- 2. SEE PLAN SHEETS FOR APPROXIMATE LOCATION OF THE SERVICE CONNECTION POINT. COORDINATE WITH POWER UTILITY COMPANY FOR THE SERVICE SOURCE AND POINT OF CONNECTION EXACT LOCATIONS.
- 3. REFER TO TYPICAL RISER DIAGRAM, AND TYPICAL INSTALLATION DETAILS, FOR FURTHER INFORMATION.

REVISIONS			
DATE	DESCRIPTION	DATE	DESCRIPTION

ALEXANDER TEAL MIMS, P.E. PE No. 77095
Traffic Engineering Data Solutions, Inc.
80 Spring Vista Drive Phone: 386.753.0558
DeBary, FL 32713 Fax: 386.753.0778
CERTIFICATION OF AUTHORIZATION # 27392

STATE OF FLORIDA
DEPARTMENT OF TRANSPORTATION

ROAD NO.	COUNTY	FINANCIAL PROJECT ID
SR 429	SEMINOLE	240200-2-52-01

POWER SERVICE DETAILS

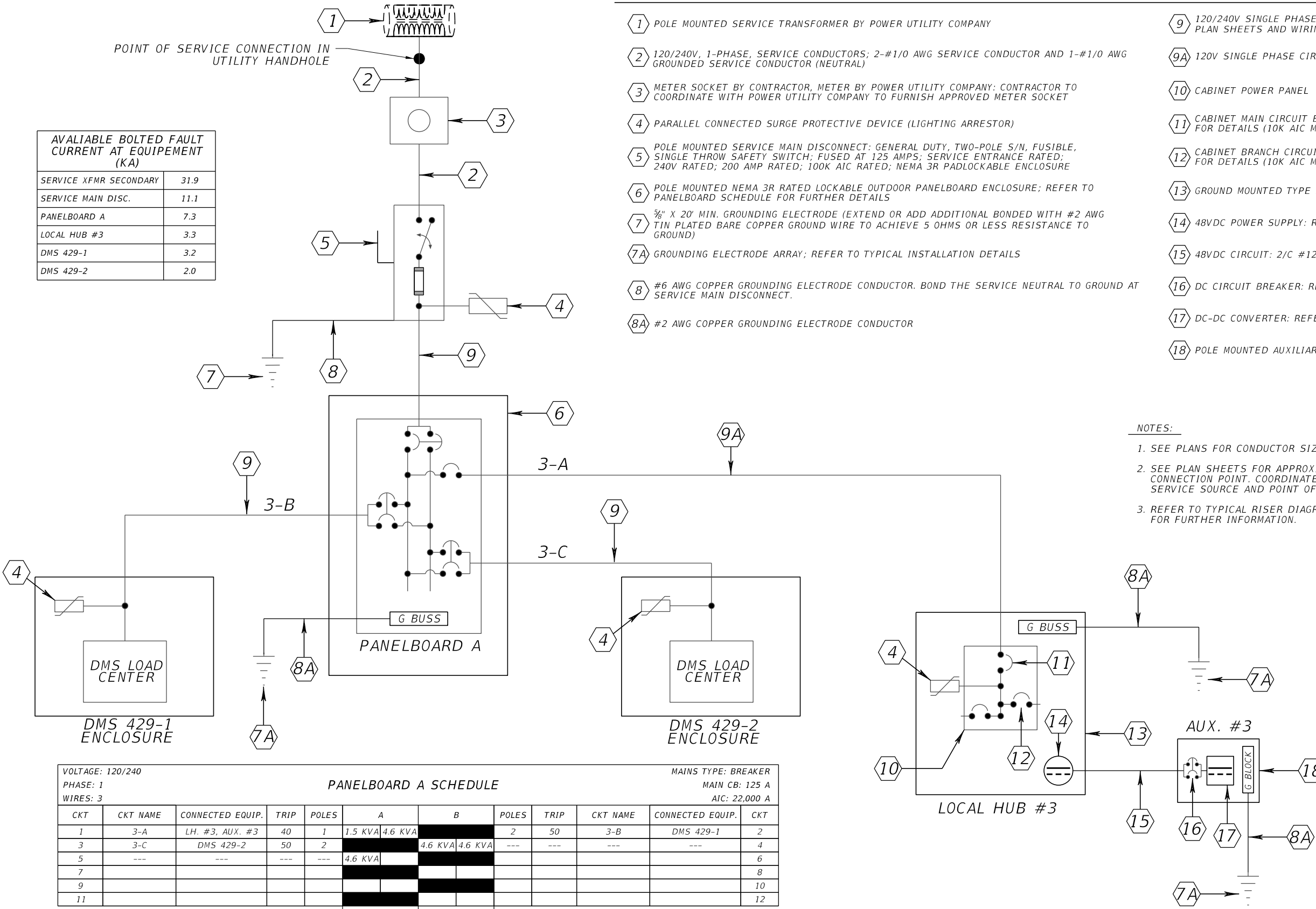
SHEET NO.
IT-64

POWER SOURCE #3
ONE-LINE DIAGRAM

LEGEND:

POINT OF SERVICE CONNECTION IN UTILITY HANDHOLE

AVAILABLE BOLTED FAULT CURRENT AT EQUIPEMENT (KA)	
SERVICE XFMR SECONDARY	31.9
SERVICE MAIN DISC.	11.1
PANELBOARD A	7.3
LOCAL HUB #3	3.3
DMS 429-1	3.2
DMS 429-2	2.0



- 1 POLE MOUNTED SERVICE TRANSFORMER BY POWER UTILITY COMPANY
- 2 120/240V, 1-PHASE, SERVICE CONDUCTORS; 2-#1/0 AWG SERVICE CONDUCTOR AND 1-#1/0 AWG GROUNDED SERVICE CONDUCTOR (NEUTRAL)
- 3 METER SOCKET BY CONTRACTOR, METER BY POWER UTILITY COMPANY; CONTRACTOR TO COORDINATE WITH POWER UTILITY COMPANY TO FURNISH APPROVED METER SOCKET
- 4 PARALLEL CONNECTED SURGE PROTECTIVE DEVICE (LIGHTING ARRESTOR)
- 5 POLE MOUNTED SERVICE MAIN DISCONNECT: GENERAL DUTY, TWO-POLE S/N, FUSIBLE, SINGLE THROW SAFETY SWITCH; FUSED AT 125 AMPS; SERVICE ENTRANCE RATED; 240V RATED; 200 AMP RATED; 100K AIC RATED; NEMA 3R PADLOCKABLE ENCLOSURE
- 6 POLE MOUNTED NEMA 3R RATED LOCKABLE OUTDOOR PANELBOARD ENCLOSURE; REFER TO PANELBOARD SCHEDULE FOR FURTHER DETAILS
- 7 5/8" X 20' MIN. GROUNDING ELECTRODE (EXTEND OR ADD ADDITIONAL BONDED WITH #2 AWG TIN PLATED BARE COPPER GROUND WIRE TO ACHIEVE 5 OHMS OR LESS RESISTANCE TO GROUND)
- 7A GROUNDING ELECTRODE ARRAY; REFER TO TYPICAL INSTALLATION DETAILS
- 8 #6 AWG COPPER GROUNDING ELECTRODE CONDUCTOR. BOND THE SERVICE NEUTRAL TO GROUND AT SERVICE MAIN DISCONNECT.
- 8A #2 AWG COPPER GROUNDING ELECTRODE CONDUCTOR
- 9 120/240V SINGLE PHASE CIRCUIT: CONDUCTOR SIZE AS SHOWN ON PLAN SHEETS AND WIRING DIAGRAMS
- 9A 120V SINGLE PHASE CIRCUIT: CONDUCTOR SIZE AS SHOWN PLAN SHEETS
- 10 CABINET POWER PANEL
- 11 CABINET MAIN CIRCUIT BREAKER: REFER TO CABINET WIRING DIAGRAMS FOR DETAILS (10K AIC MIN. RATED)
- 12 CABINET BRANCH CIRCUIT BREAKER: REFER TO CABINET WIRING DIAGRAMS FOR DETAILS (10K AIC MIN. RATED)
- 13 GROUND MOUNTED TYPE 334 CABINET
- 14 48VDC POWER SUPPLY: REFER TO CABINET WIRING DIAGRAMS FOR DETAILS
- 15 48VDC CIRCUIT: 2/C #12 AWG TYPE TC CABLE
- 16 DC CIRCUIT BREAKER: REFER TO CABINET WIRING DIAGRAMS FOR DETAILS
- 17 DC-DC CONVERTER: REFER TO CABINET WIRING DIAGRAMS FOR DETAILS
- 18 POLE MOUNTED AUXILIARY CABINET

NOTES:

1. SEE PLANS FOR CONDUCTOR SIZES NOT INDICATED ON THIS SHEET.
2. SEE PLAN SHEETS FOR APPROXIMATE LOCATION OF THE SERVICE CONNECTION POINT. COORDINATE WITH POWER UTILITY COMPANY FOR THE SERVICE SOURCE AND POINT OF CONNECTION EXACT LOCATIONS.
3. REFER TO TYPICAL RISER DIAGRAM, AND TYPICAL INSTALLATION DETAILS, FOR FURTHER INFORMATION.

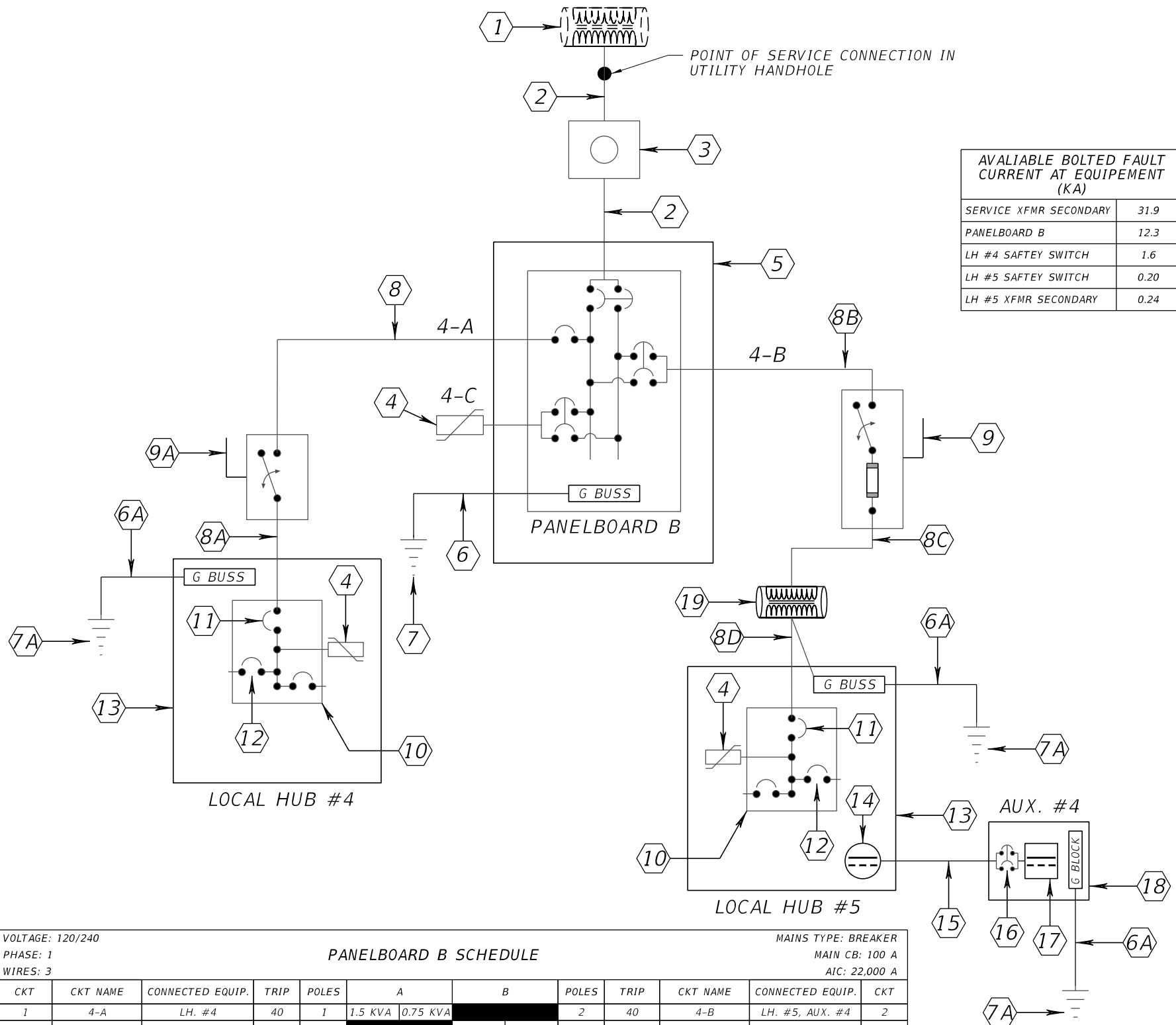
PANELBOARD A SCHEDULE											
VOLTAGE: 120/240				PHASE: 1				MAINS TYPE: BREAKER		MAIN CB: 125 A	
WIRES: 3								AIC: 22,000 A			
CKT	CKT NAME	CONNECTED EQUIP.	TRIP	POLES	A	B	POLES	TRIP	CKT NAME	CONNECTED EQUIP.	CKT
1	3-A	LH. #3, AUX. #3	40	1	7.5 KVA	4.6 KVA	2	50	3-B	DMS 429-1	2
3	3-C	DMS 429-2	50	2	4.6 KVA	4.6 KVA	---	---	---	---	4
5	---	---	---	---	4.6 KVA						6
7											8
9											10
11											12
LOAD PER 120V LEG:					10.7 KVA	9.2 KVA					
TOTAL LOAD:					19.9 KVA						
TOTAL AMPS @ 240V:					82.9 A						

REVISIONS				ALEXANDER TEAL MIMS, P.E. PE No. 77095 Traffic Engineering Data Solutions, Inc. 80 Spring Vista Drive Phone: 386.753.0558 DeBary, FL 32713 Fax: 386.753.0778 CERTIFICATION OF AUTHORIZATION # 27392	STATE OF FLORIDA DEPARTMENT OF TRANSPORTATION			SHEET NO. IT-65
DATE	DESCRIPTION	DATE	DESCRIPTION		ROAD NO.	COUNTY	FINANCIAL PROJECT ID	
					SR 429	SEMINOLE	240200-2-52-01	

POWER SERVICE DETAILS

THE OFFICIAL RECORD OF THIS SHEET IS THE ELECTRONIC FILE DIGITALLY SIGNED AND SEALED UNDER RULE 61G15-23.004, F.A.C.

POWER SOURCE #4
ONE-LINE DIAGRAM



AVAILABLE BOLTED FAULT CURRENT AT EQUIPEMENT (KA)

SERVICE XFMR SECONDARY	31.9
PANELBOARD B	12.3
LH #4 SAFETY SWITCH	1.6
LH #5 SAFETY SWITCH	0.20
LH #5 XFMR SECONDARY	0.24

LEGEND:

- 1 POLE MOUNTED SERVICE TRANSFORMER BY POWER UTILITY COMPANY
- 2 120/240V, 1-PHASE, SERVICE CONDUCTORS; 2-#1 AWG SERVICE CONDUCTOR AND 1-#1 AWG GROUNDED SERVICE CONDUCTOR (NEUTRAL)
- 3 METER SOCKET BY CONTRACTOR, METER BY POWER UTILITY COMPANY; CONTRACTOR TO COORDINATE WITH POWER UTILITY COMPANY TO FURNISH APPROVED METER SOCKET
- 4 PARALLEL CONNECTED SURGE PROTECTIVE DEVICE (LIGHTING ARRESTOR)
- 5 POLE MOUNTED MAIN SERVICE PANEL: POLE MOUNTED NEMA 3R RATED LOCKABLE OUTDOOR SERVICE ENTRANCE RATED PANELBOARD ENCLOSURE; REFER TO PANELBOARD SCHEDULE FOR FURTHER DETAILS
- 6 #6 AWG COPPER GROUNDING ELECTRODE CONDUCTOR. BOND THE SERVICE NEUTRAL TO GROUND IN MAIN SERVICE PANEL.
- 6A #2 AWG COPPER GROUNDING ELECTRODE CONDUCTOR
- 7 5/8" X 20' MIN. GROUNDING ELECTRODE (EXTEND OR ADD ADDITIONAL BONDED WITH #2 AWG TIN PLATED BARE COPPER GROUND WIRE TO ACHIEVE 5 OHMS OR LESS RESISTANCE TO GROUND)
- 7A GROUNDING ELECTRODE ARRAY; REFER TO TYPICAL INSTALLATION DETAILS
- 8 120V SINGLE PHASE CIRCUIT: CONDUCTOR SIZE AS SHOWN ON PLAN SHEETS
- 8A 120V SINGLE PHASE CIRCUIT: 2-#6 AWG AND 1-#6 AWG GROUND
- 8B 240V SINGLE PHASE CIRCUIT: CONDUCTOR SIZE AS SHOWN ON PLAN SHEETS
- 8C 240V SINGLE PHASE CIRCUIT: 2-#6 AWG AND 1-#6 AWG GROUND
- 8D 120V SINGLE PHASE CIRCUIT: 2-#6 AWG AND 1-#6 AWG GROUND
- 9 POLE MOUNTED SAFETY SWITCH: GENERAL DUTY, TWO-POLE, FUSIBLE, SINGLE THROW; FUSED AT 20 AMPS; 240V RATED; 100 AMP RATED; 10K AIC MIN. RATED; NEMA 3R PADLOCKABLE ENCLOSURE
- 9A POLE MOUNTED SAFETY SWITCH: GENERAL DUTY, TWO-POLE, NON-FUSIBLE, SINGLE THROW; 240V RATED; 100 AMP RATED; 10K SSCR MIN.; NEMA 3R PADLOCKABLE ENCLOSURE
- 10 CABINET POWER PANEL
- 11 CABINET MAIN CIRCUIT BREAKER: REFER TO CABINET WIRING DIAGRAMS FOR DETAILS (10K AIC MIN. RATED)
- 12 CABINET BRANCH CIRCUIT BREAKER: REFER TO CABINET WIRING DIAGRAMS FOR DETAILS (10K AIC MIN. RATED)
- 13 POLE MOUNTED TYPE 336S CABINET
- 14 48VDC POWER SUPPLY: REFER TO CABINET WIRING DIAGRAMS FOR DETAILS
- 15 48VDC CIRCUIT: 2/C #12 AWG TYPE TC CABLE
- 16 DC CIRCUIT BREAKER: REFER TO CABINET WIRING DIAGRAMS FOR DETAILS
- 17 DC-DC CONVERTER: REFER TO CABINET WIRING DIAGRAMS FOR DETAILS
- 18 POLE MOUNTED AUXILIARY CABINET
- 19 3 KVA POLE MOUNTED DRY TYPE OUTDOOR TRANSFORMER: 240x480V PRIMARY AND 120/240V SECONDARY; NEMA 3R ENCLOSURE; BOND TRANSFORMER SECONDARY TO EFFECTIVE GROUND-FAULT CURRENT PATH PER NEC REQUIREMENTS; REFER TO WIRING DIAGRAMS FOR FURTHER DETAIL

VOLTAGE: 120/240
PHASE: 1
WIRES: 3

PANELBOARD B SCHEDULE

MAINS TYPE: BREAKER
MAIN CB: 100 A
AIC: 22,000 A

CKT	CKT NAME	CONNECTED EQUIP.	TRIP	POLES	A	B	POLES	TRIP	CKT NAME	CONNECTED EQUIP.	CKT
1	4-A	LH. #4	40	1	1.5 KVA	0.75 KVA	2	40	4-B	LH. #5, AUX. #4	2
3	4-C	SPD	30	2		SPD					4
5	---	---	---	---	SPD						6
7											8
9											10
11											12

LOAD PER 120V LEG: 2.25 KVA 0.75 KVA
TOTAL LOAD: 3.00 KVA
TOTAL AMPS @ 240V: 12.5 A

- NOTES:
- SEE PLANS FOR CONDUCTOR SIZES NOT INDICATED ON THIS SHEET.
 - SEE PLAN SHEETS FOR APPROXIMATE LOCATION OF THE SERVICE CONNECTION POINT. COORDINATE WITH POWER UTILITY COMPANY FOR THE SERVICE SOURCE AND POINT OF CONNECTION EXACT LOCATIONS.
 - REFER TO TYPICAL RISER DIAGRAM, AND TYPICAL INSTALLATION DETAILS, FOR FURTHER INFORMATION.

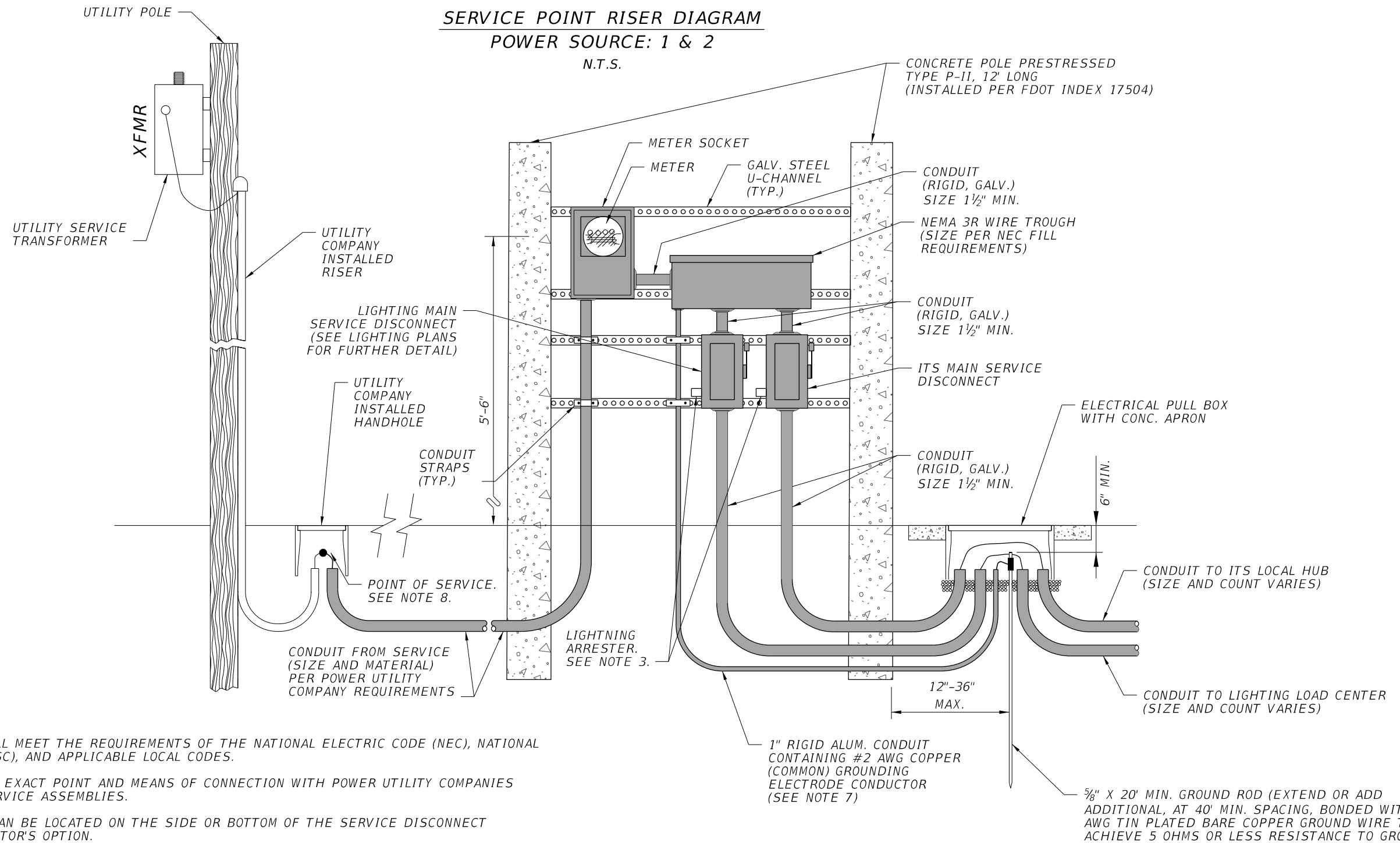
REVISIONS				ALEXANDER TEAL MIMS, P.E. PE No. 77095 Traffic Engineering Data Solutions, Inc. 80 Spring Vista Drive Phone: 386.753.0558 DeBary, FL 32713 Fax: 386.753.0778 CERTIFICATION OF AUTHORIZATION # 27392	STATE OF FLORIDA DEPARTMENT OF TRANSPORTATION			POWER SERVICE DETAILS	SHEET NO.
DATE	DESCRIPTION	DATE	DESCRIPTION		ROAD NO.	COUNTY	FINANCIAL PROJECT ID		IT-66
					SR 429	SEMINOLE	240200-2-52-01		

THE OFFICIAL RECORD OF THIS SHEET IS THE ELECTRONIC FILE DIGITALLY SIGNED AND SEALED UNDER RULE 61G15-23.004, F.A.C.

SERVICE POINT RISER DIAGRAM

POWER SOURCE: 1 & 2

N.T.S.



NOTES:

1. SERVICE INSTALLATION SHALL MEET THE REQUIREMENTS OF THE NATIONAL ELECTRIC CODE (NEC), NATIONAL ELECTRIC SAFETY CODE (NEC), AND APPLICABLE LOCAL CODES.
2. CONTRACTOR TO COORDINATE EXACT POINT AND MEANS OF CONNECTION WITH POWER UTILITY COMPANIES PRIOR TO CONSTRUCTING SERVICE ASSEMBLIES.
3. THE LIGHTNING ARRESTER CAN BE LOCATED ON THE SIDE OR BOTTOM OF THE SERVICE DISCONNECT ENCLOSURE AT THE CONTRACTOR'S OPTION.
4. MEET ALL GROUNDING REQUIREMENTS OF SECTION 620 OF THE STANDARD SPECIFICATIONS.
5. THE MAIN SERVICE DISCONNECTS SHALL BE LOCKABLE BY PADLOCK AND FOUR KEYS PROVIDED TO THE MAINTAINING AGENCY. THE DOOR SHALL HAVE A MINIMUM OF THREE HINGES AND BE LOCKABLE. NO SCREWS TO BE USED TO ATTACH DOOR.
6. ALL SERVICE EQUIPMENT ENCLOSURES SHALL BE NEMA 3R OR BETTER RATED. WEATHER TIGHT HUBS SHALL BE USED AT LOCATIONS WHERE CONDUITS ATTACH TO ENCLOSURES.
7. CONDUIT CONTAINING GROUNDING ELECTRODE CONDUCTORS SHALL BE EITHER RIGID GALVANIZED STEEL OR RIGID ALUMINUM CONDUIT. IF STEEL CONDUIT (FERROUS) IS USED ENSURE CONDUIT IS BONDED TO GROUNDING ELECTRODE CONDUCTOR AT BOTH ENDS IN ACCORDANCE WITH THE NEC.
8. CONTRACTOR TO PROVIDE 10' OF SLACK SERVICE CONDUCTOR WITHIN HANDHOLE FOR CONNECTION BY POWER UTILITY COMPANY.

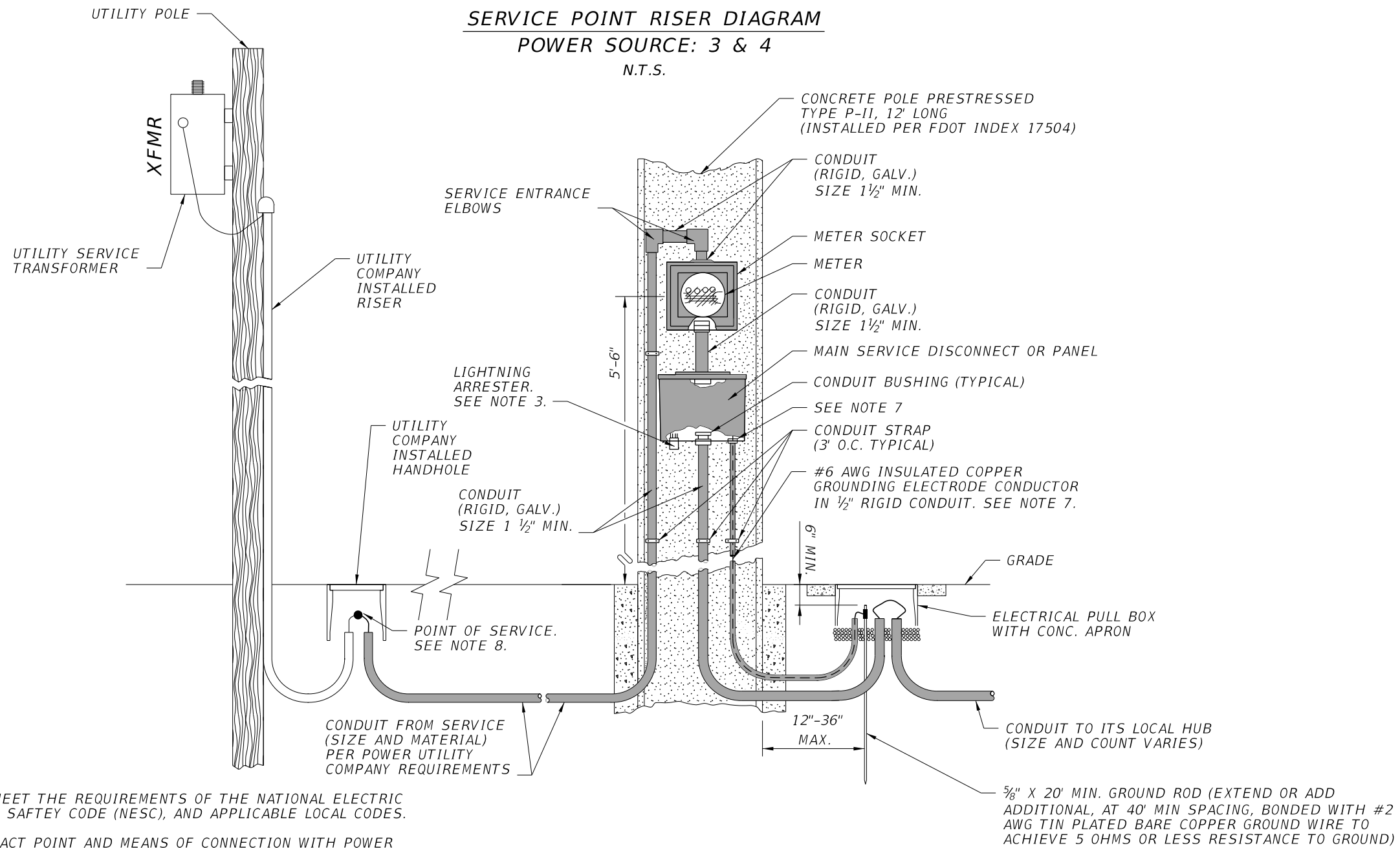
REVISIONS				ALEXANDER TEAL MIMS, P.E. PE No. 77095 Traffic Engineering Data Solutions, Inc. 80 Spring Vista Drive Phone: 386.753.0558 DeBary, FL 32713 Fax: 386.753.0778 CERTIFICATION OF AUTHORIZATION # 27392	STATE OF FLORIDA DEPARTMENT OF TRANSPORTATION			SHEET NO. IT-67
DATE	DESCRIPTION	DATE	DESCRIPTION		ROAD NO.	COUNTY	FINANCIAL PROJECT ID	
					SR 429	SEMINOLE	240200-2-52-01	

THE OFFICIAL RECORD OF THIS SHEET IS THE ELECTRONIC FILE DIGITALLY SIGNED AND SEALED UNDER RULE 61G15-23.004, F.A.C.

SERVICE POINT RISER DIAGRAM

POWER SOURCE: 3 & 4

N.T.S.



NOTES:

1. SERVICE INSTALLATION SHALL MEET THE REQUIREMENTS OF THE NATIONAL ELECTRIC CODE (NEC), NATIONAL ELECTRIC SAFETY CODE (NESC), AND APPLICABLE LOCAL CODES.
2. CONTRACTOR TO COORDINATE EXACT POINT AND MEANS OF CONNECTION WITH POWER UTILITY COMPANIES PRIOR TO CONSTRUCTING SERVICE ASSEMBLIES.
3. THE LIGHTNING ARRESTER CAN BE LOCATED ON THE SIDE OR BOTTOM OF THE SERVICE DISCONNECT ENCLOSURE AT THE CONTRACTOR'S OPTION.
4. MEET ALL GROUNDING REQUIREMENTS OF SECTION 620 OF THE STANDARD SPECIFICATIONS.
5. THE MAIN SERVICE DISCONNECT OR PANEL SHALL BE LOCKABLE BY PADLOCK AND FOUR KEYS PROVIDED TO THE MAINTAINING AGENCY. THE DOOR SHALL HAVE A MINIMUM OF THREE HINGES AND BE LOCKABLE. NO SCREWS TO BE USED TO ATTACH DOOR.
6. ALL SERVICE EQUIPMENT ENCLOSURES SHALL BE NEMA 3R OR BETTER RATED. WEATHER TIGHT HUBS SHALL BE USED AT LOCATIONS WHERE CONDUITS ATTACH TO ENCLOSURES.
7. CONDUIT CONTAINING GROUNDING ELECTRODE CONDUCTORS SHALL BE EITHER RIGID GALVANIZED STEEL OR RIGID ALUMINUM CONDUIT. IF STEEL CONDUIT (FERROUS) IS USED ENSURE CONDUIT IS BONDED TO GROUNDING ELECTRODE CONDUCTOR AT BOTH ENDS IN ACCORDANCE WITH THE NEC.
8. CONTRACTOR TO PROVIDE 10' OF SLACK SERVICE CONDUCTOR WITHIN HANDHOLE FOR CONNECTION BY POWER UTILITY COMPANY.

REVISIONS				ALEXANDER TEAL MIMS, P.E. PE No. 77095 Traffic Engineering Data Solutions, Inc. 80 Spring Vista Drive Phone: 386.753.0558 DeBary, FL 32713 Fax: 386.753.0778 CERTIFICATION OF AUTHORIZATION # 27392	STATE OF FLORIDA DEPARTMENT OF TRANSPORTATION			SHEET NO. IT-68
DATE	DESCRIPTION	DATE	DESCRIPTION		ROAD NO.	COUNTY	FINANCIAL PROJECT ID	
					SR 429	SEMINOLE	240200-2-52-01	

THE OFFICIAL RECORD OF THIS SHEET IS THE ELECTRONIC FILE DIGITALLY SIGNED AND SEALED UNDER RULE 61G15-23.004, F.A.C.